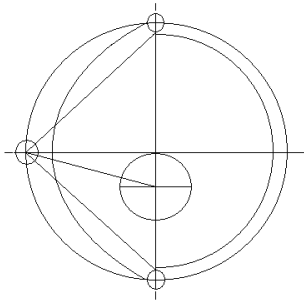


## White Wines by the glass

Kopiko Bay Sauvignon Blanc	\$8.5
Chard Farm 'Swiftburn' Sauvignon Blanc	\$11
Kopiko Bay Chardonnay	\$8.5
Chard Farm 'Closeburn' Chardonnay	\$12
Kopiko Bay Pinot Gris	\$8.5
Chard Farm 'Sur Lie' Pinot Gris	\$12
Roaring Meg Riesling	\$10



## Red Wines by the glass

Kopiko Bay Pinot Noir	\$8.5
TED by Mount Edward Pinot Noir	\$13
Mt Difficulty "Roaring Meg" Pinot Noir	\$15
Kopiko Bay Merlot	\$8.5
Huntaway Syrah	\$12.5

## Rose Wine by the glass

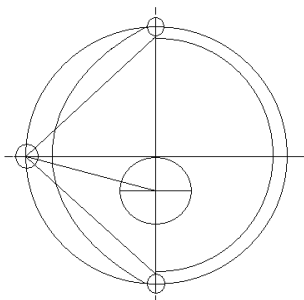
Rabbit Ranch Rose	\$11
-------------------	------

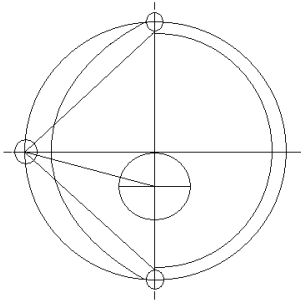


**5pm-6pm daily**

**\$6**

**kopiko bay wine range,  
house spirits,  
speights glass**





## Champagne

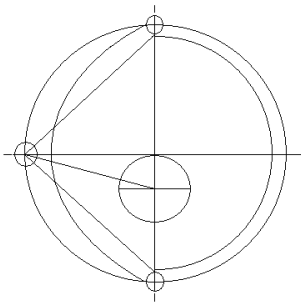
Taittinger <i>Reims, France</i>	\$199
Veuve Clicquot NV Brut <i>Reims, France</i>	\$165

## Méthode Traditionnelle

Lindauer Reserve cuvee <i>Gisborne</i>	\$49.5
Deutz Cuvee Brut (200ml) <i>Marlborough</i>	\$16
Deutz Prestige <i>Marlborough</i>	\$75

## Sauvignon Blanc

Kopiko Bay <i>Marlborough</i>	\$8.5 glass	\$39
Chard Farm 'Swiftburn' <i>Central Otago</i>	\$11 glass	\$49.5
Rabbit Ranch <i>Central Otago</i>		\$45
Wither Hills "Rarangi" <i>Marlborough</i>		\$55
Jules Taylor Sauvignon Blanc <i>Marlborough</i>		\$65
The Ned <i>Marlborough</i>		\$45
Peregrine <i>Central Otago</i>		\$55

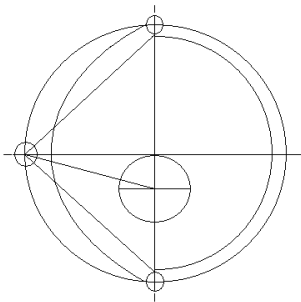


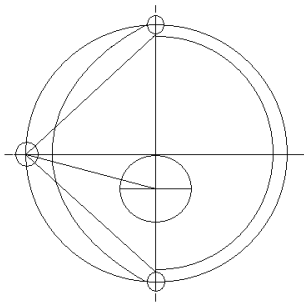
## Chardonnay

Kopiko Bay <i>Gisborne</i>	\$8.5 glass	\$39
Chard Farm 'Closeburn' <i>Central Otago</i>	\$12 glass	\$55
Trinity Hill <i>Hawke's Bay</i>		\$45

## Riesling

Mt Difficulty 'Roaring Meg' Riesling <i>Central Otago</i>	\$10 glass	\$48
Te Whare Ra Dry Riesling <i>Central Otago</i>		\$55





## Pinot Gris

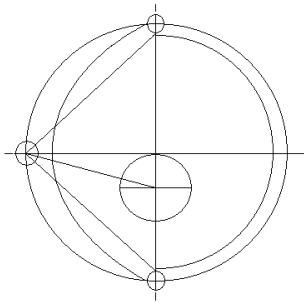
Kopiko Bay <i>Gisborne</i>	\$8.5 glass	\$39
Chard Farm 'Sur Lie' <i>Central Otago</i>	\$12 glass	\$55

## Rose

Rabbit Ranch <i>Central Otago</i>	\$11 glass	\$49.5
--------------------------------------	------------	--------

## Pinot Noir

Kopiko Bay <i>Marlborough</i>	\$8.5 glass	\$39
TED by Mount Edward <i>Central Otago</i>	\$13 glass	\$56
Wither Hills "Taylor River" Single Vineyard <i>Marlborough</i>		\$58
Rabbit Ranch <i>Central Otago</i>		\$59
Mount Difficulty 'Roaring Meg' <i>Central Otago</i>	\$15 glass	\$69
Chard Farm 'Finla Mor' <i>Central Otago</i>		\$75
Surveyor Thomson <i>Central Otago</i>		\$85

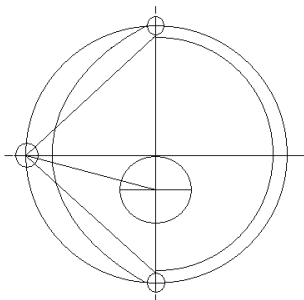


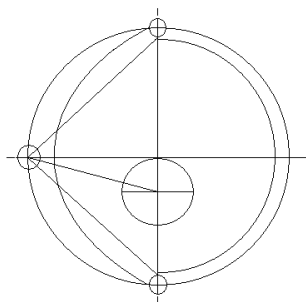
## Cabernet, Merlot & Blends

Kopiko Bay Merlot <i>Hawkes Bay</i>	\$8.5 glass	\$39
Angus 'The Bull' Cabernet Sauvignon <i>Central Victoria, Australia</i>		\$56

## Shiraz

I AM George <i>Langhorne Creek, South Australia</i>		\$56
Huntaway Syrah <i>Hawkes Bay</i>	\$12.5 glass	\$59





## House Spirits \$8.5

(Standard 30ml pour)

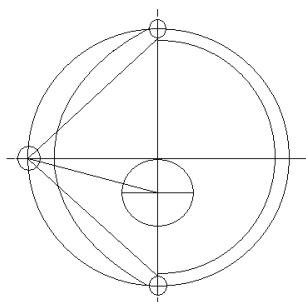
Gordons Gin  
Smirnoff Vodka  
Jim Beam Bourbon  
Coruba Rum  
Bacardi White Rum  
Johnnie Walker Red Label  
De Valcourt Brandy

## Premium Spirits

(Standard 30ml pour)

### Gin

Bombay Sapphire	\$9
Tanqueray	\$9
Gordon's Pink Gin	\$9



### Vodka

42 Below	\$9
Broken Shed	\$11

### Bourbon

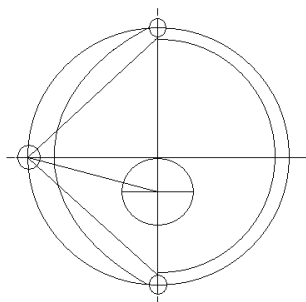
Jack Daniel's	\$9
Wild Turkey	\$9

### Rum

Malibu	\$9
Bundaberg	\$9
Appleton Estate	\$9
The Kracken dark spiced	\$10

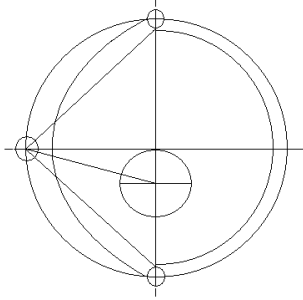
### Tequila

Jose Cuervo	\$8.5
1800 Anejo	\$12



### Whiskey

Johnnie Walker Black	\$10
Chivas Regal	\$10



## Single Malt Whisky

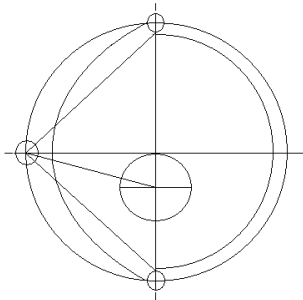
(Standard 30ml pour)

Glenfiddich 12yr – Speyside	\$9.5
Glenkinchie 12yr – Lowland	\$14
Glenlivet 12yr – Speyside	\$12
Glenmorangie 10yr – Highland	\$12
Laphroaig 10yr – Islay	\$14.5
Talisker 10yr – Isle of Skye	\$13.5

## Cognacs

(Standard 45ml pour)

Courvoisier VSOP	\$18.5
Hennessey VSOP	\$19.5
Hennessey XO	\$31
Remy Martin VSOP	\$17.5
Remy Martin XO	\$34



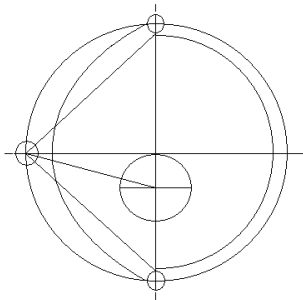
## Liqueurs

(Standard 30ml pour)

Baileys (60ml pour)	\$12
Campari	\$9
Chambord	\$9
Cointreau	\$9
Drambuie	\$9
Frangelico	\$9
Glayva	\$9
Grand Marnier	\$9
Kahlua	\$9
Pernod	\$9
Pimms	\$9
Southern Comfort	\$9
Tia Maria	\$9

## Martini

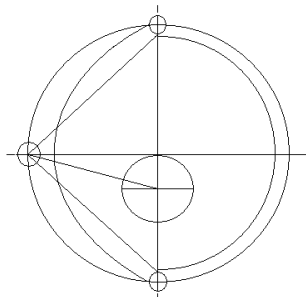
Bianco	\$9
Extra dry	\$9
Rosso	\$9



## Port

(Standard 45ml pour)

Taylor's Tawny Port	\$10.5
Taylor's 10 year	\$15.5
Taylor's 20 year	\$27.5

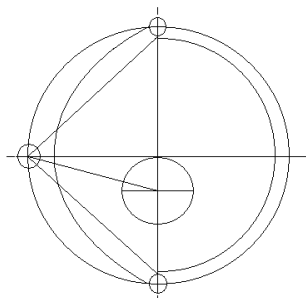


## Tap Beers

Speights Gold Medal	Glass	\$8
	Pint	\$10
Steinlager Pure	Glass	\$9
	Pint	\$14
Emersons Pilsner	Glass	\$11
	Pint	\$16

## Bottled Beers & Cider

Speights Old Dark	\$9
Macs Green Beret IPA	\$9.5
Emerson's Pale Ale	\$11.5
Panhead APA	\$11.5
Steinlager Pure ULTRA low cab	\$9.5
Heineken - Netherlands	\$9.5
Heineken 0.0% - Netherlands	\$9.5
Corona	\$9.5
Speights Apple Cider	\$8.5



## Coffee & Tea

Long Black, Macchiato, Espresso	\$4
Flat White, Cappuccino, Latte, Mocha	\$4.5
Hot Chocolate & Chai Latte	
Flavoured syrups	\$0.5
Almond/Soy Milk	\$0.5
Go large add	\$1
Tea Selection	\$4

## Soft Drinks

Post Mix	Glass	\$4
Pepsi, Pepsi Max, 7-UP	Pint	\$6
Gingerale, Tonic		
Pepsi cans		\$4.5
7-up cans		\$4.5
NZ Natural water		\$4.5
Mac's Ginger Beer		\$6
Antipodes Sparkling Water 500ml		\$7.5
Antipodes Still Water 500ml		\$7.5

## Fruit Juice

from \$4.5

All prices include GST.

